

1

2

3

4

5

6

A

B

C

D

E

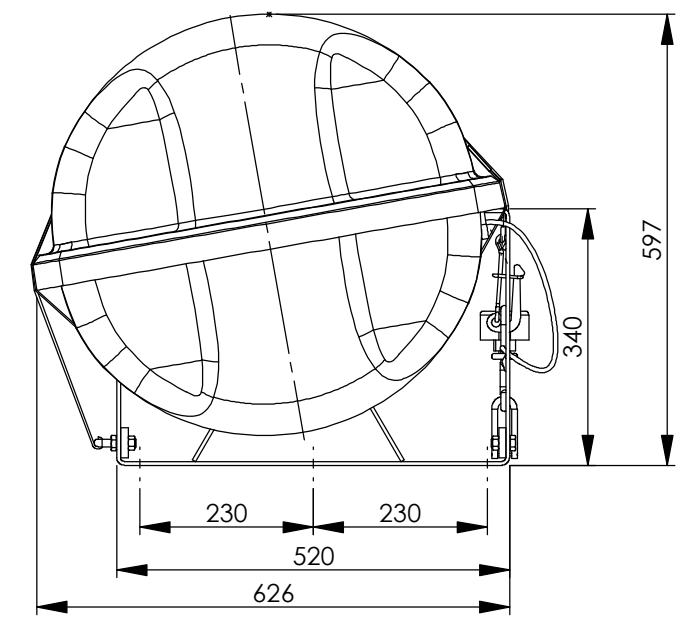
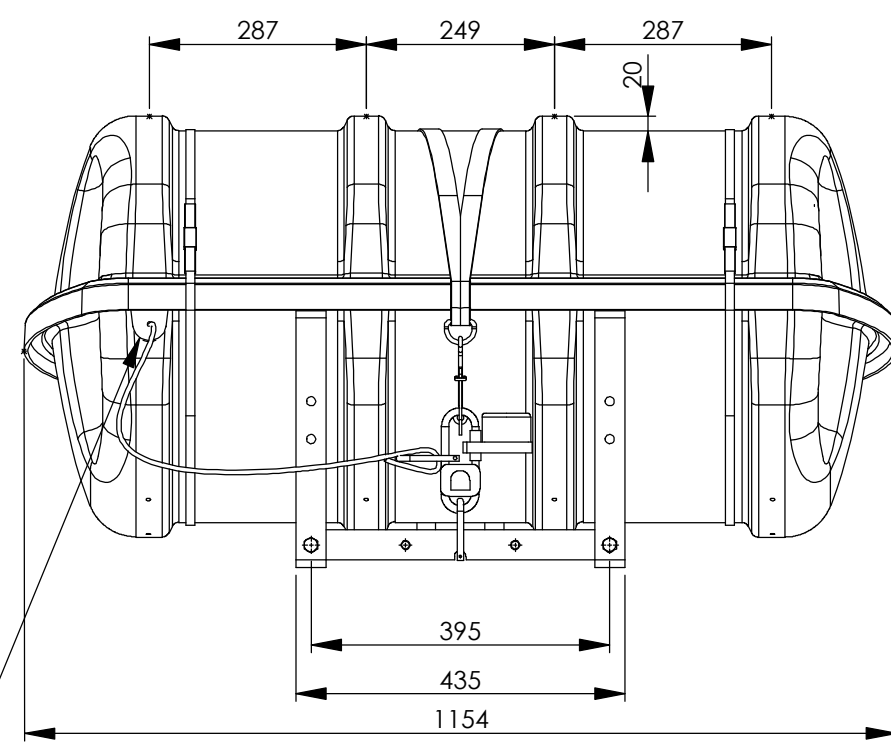
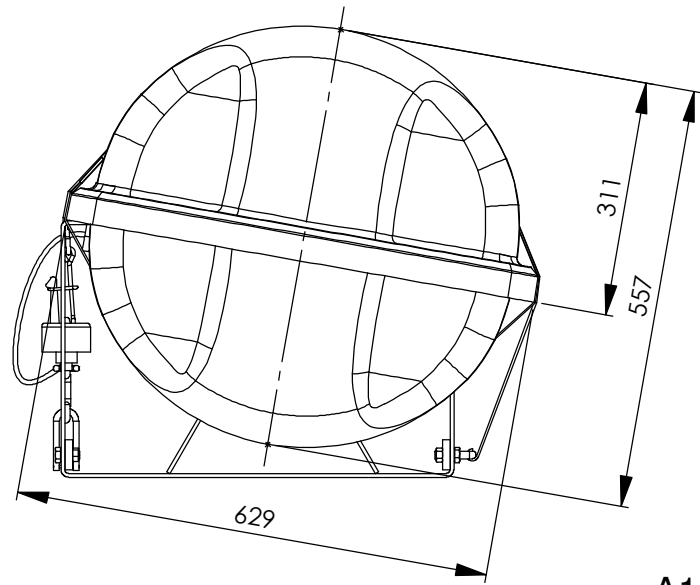
A

B

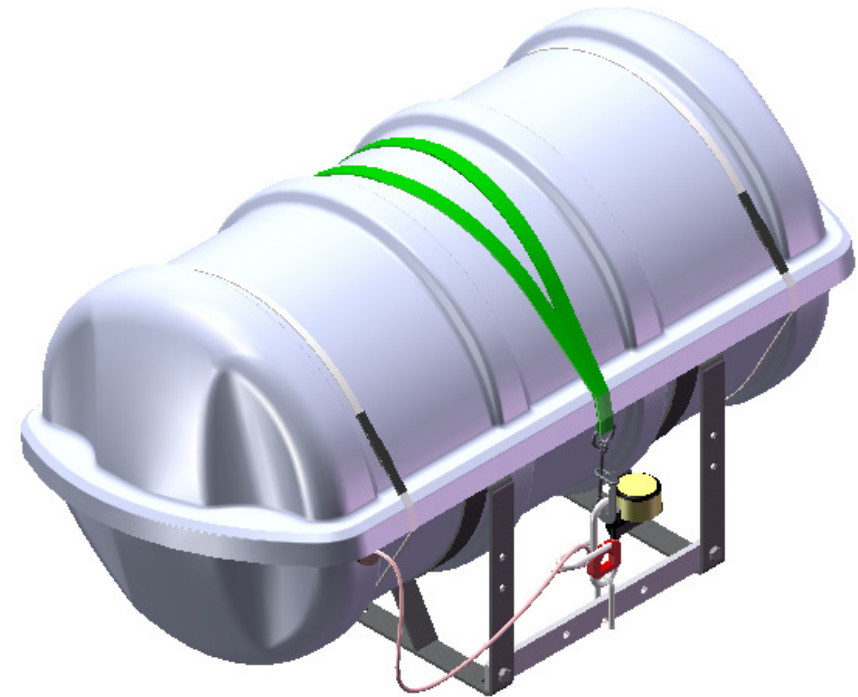
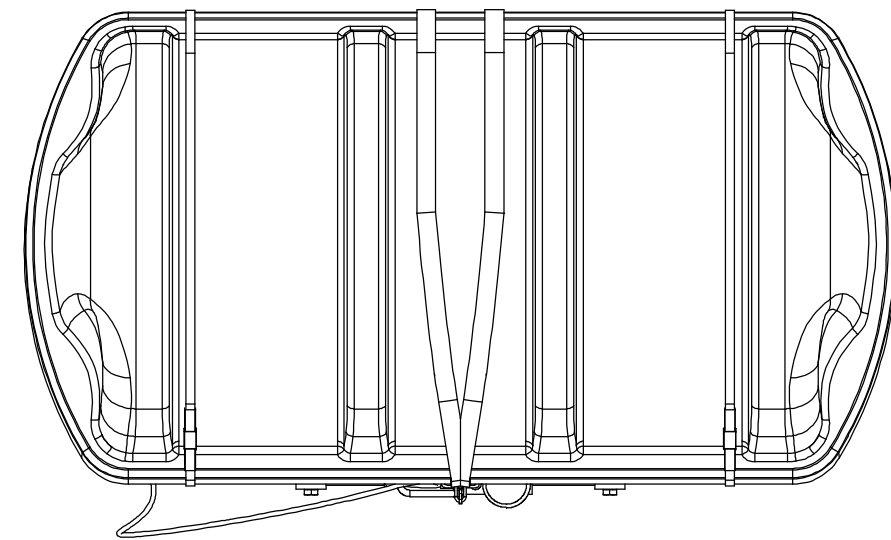
C

D

E



A1, Painter line



Slot measures from the center of container.

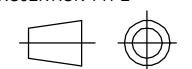
Location	A1
Dimension	413±2

DECK CRADLE FOR VIKING LIFE	015-0034	1002721	AlMgSiO5
CRADLE CPL NO LASHING STAINLES	015-0055	1002924	AISI316
CRADLE CPL. NO LASHING GALVANI(4-8DK)	015-0016	1014758	S275JR
Description	Old Part. No.	Part No.	Material

If the product is requested to be manufactured differently, this MUST be approved by VIKING LIFE-SAVING EQUIPMENT A/S and a specification of change must be filled in if the alteration is approved. Unless otherwise specified the product must always be clearly labelled with Viking part no., manufacturer ID and manufacturing year.

MATERIAL NO: 1008789	Old DWG No: -	STATUS: FR	UNITS: mm/kg	WEIGHT: 22174.521	CHECK DATE/INIT: 20140127/DW
BASIC MATERIAL:	SURFACE TREATMENT: -		SHEETSIZE: A3	SCALE: 1:10	SHEET NO.: 1/1
DRAWN DATE/INIT: 20121112/DW			DESCRIPTION:		

VIKING LIFE-SAVING EQUIPMENT A/S
 Sædding Ringvej 13, DK-6710 Esbjerg V
 Tel.: +45 7611 8100
 Fax.: +45 7611 8101
 E-mail: viking@viking-life.dk
 Web: www.VIKING-life.com

PROJEKTION TYPE

FIRST ANGLE PROJECTION
 GENEREL TOLERANCE:
 -

SALE SPECIFICATION FOR CONTAINER
 PART NO. : 016-5000/C/K 4 - 6 - 8 DK -12 IBA
 W/LINE 016-0310A/B/C/D/E/F & -0485

Copyright of VIKING LIFE-SAVING EQUIPMENT DENMARK whose property this document remains. No part thereof may be disclosed, copied, duplicated or in any other way made use of except with the approval of VIKING LIFE-SAVING EQUIPMENT DENMARK.	CAD NO. : 14002060	Drawing NO. : 16004066	REV NO. : 00
--	-----------------------	---------------------------	-----------------

1

2

3

4

5

6